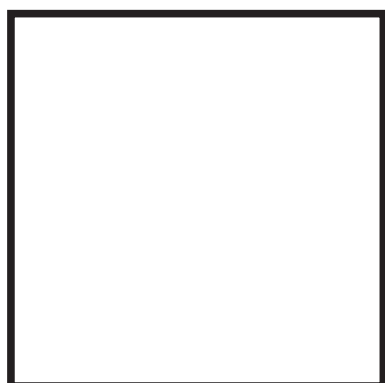
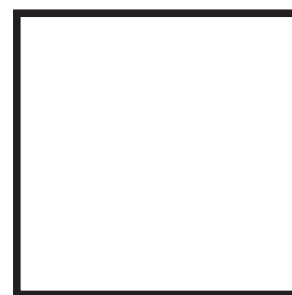
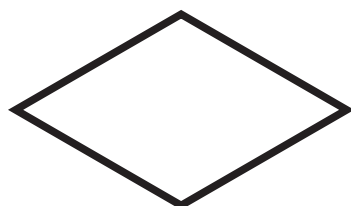
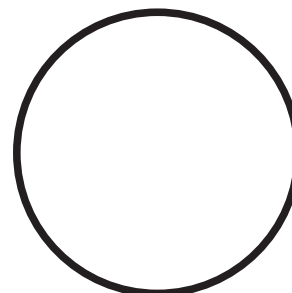
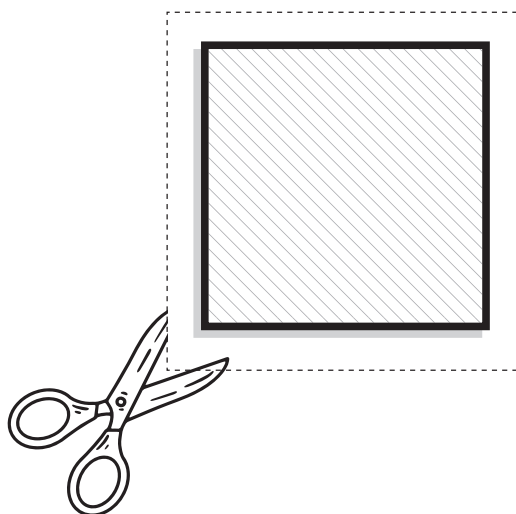
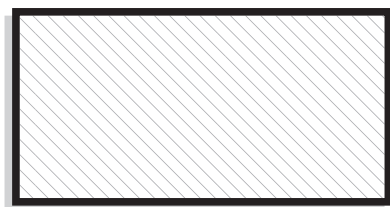


Directions: Color, then cut out the Shapes to match with the shapes in the picture on page 2.



Color the picture, then glue the cut-out shapes over the shapes in the picture with dotted lines.

What are the shapes that build a house?

