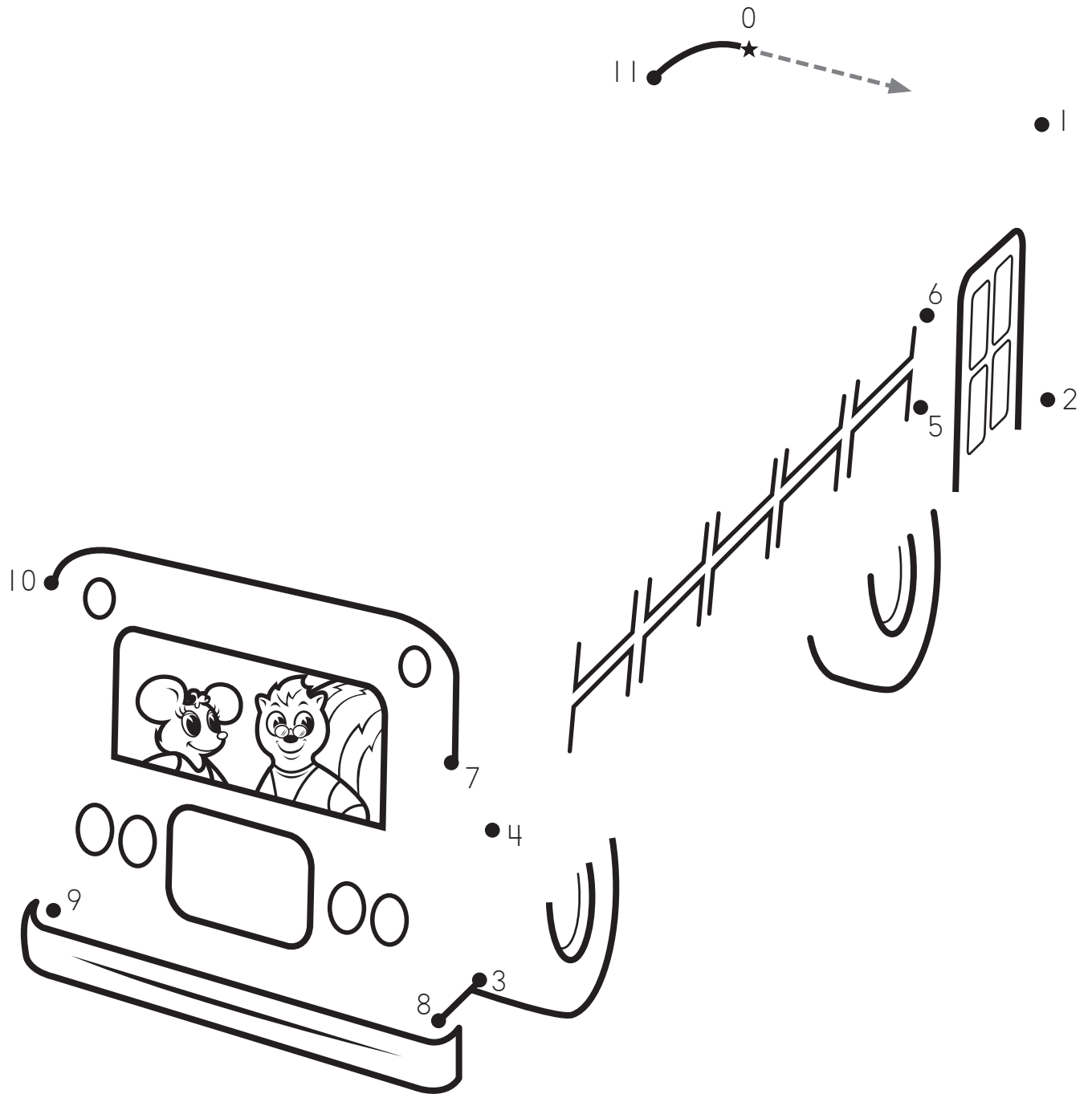
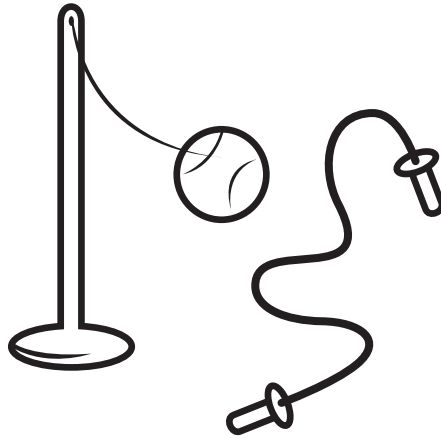
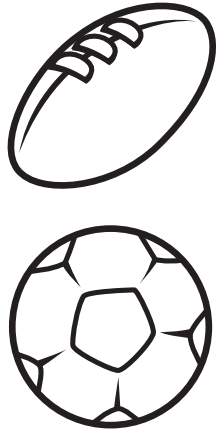


What kind of transportation do you or your classmates use to get to school each day? Follow the dots from 0 to 11 to discover the transportation used by many children.



Trace, then write, the numeral 2. Then ring **two** playground items in each box **below**.



MirabelMouse likes to play soccer at recess. Draw **two** balls in Mirabel's net. Write the numeral 2 on her shirt. Looks like Mirabel is ready to make the first goal! What else could you draw in this picture?

